

## Specifications

Models	S-40 XC		S-45 XC	
Measurements	US	Metric	US	Metric
Working height maximum*	46 ft	14.19 m	51 ft	15.72 m
Platform height maximum	40 ft	12.19 m	44 ft 6 in	13.56 m
Horizontal reach maximum	31 ft 8 in	9.67 m	36 ft 2 in	11.02 m
Below ground reach	1ft	0.97 m	4 ft 2 in	1.27 m
<b>A</b> Platform length - 8 ft model	3 ft	0.91 m	3 ft	0.91 m
Platform length - 6 ft model	2 ft 6 in	0.76 m	2 ft 6 in	0.76 m
<b>B</b> Platform width - 8 ft model	8 ft	2.44 m	8 ft	2.44 m
Platform width - 6 ft model	6 ft	1.83 m	6 ft	1.83 m
<b>C</b> Height - stowed	8 ft 3 in	2.51 m	8 ft 3 in	2.51 m
- stowed with Trax option	8 ft 5 in	2.56 m	8 ft 5 in	2.56 m
<b>D</b> Length - stowed	26 ft 4 in	8.03 m	31 ft 1 in	9.47 m
<b>E</b> Width - standard tires	8 ft 2 in	2.49 m	8 ft 2 in	2.49 m
- Trax option	8 ft 2 in	2.31 m	8 ft 2 in	2.31 m
<b>F</b> Wheelbase	8 ft 1 in	2.46 m	8 ft 1 in	2.46 m
<b>G</b> Ground clearance - center	1 ft .5 in	0.32 m	1 ft .5 in	0.32 m

### Productivity

Lift capacity	1000/660 lbs	300/454 kg	1000/660 lbs	300/454 kg
Platform rotation	160°		160°	
Vertical jib rotation	—		133°	
Turntable rotation	360° continuous		360° continuous	
Turntable tailswing	37.5 in	0.86 m	37.5 in	0.86 m
Drive speed - stowed	4.0 mph	7.7 km/h	4.0 mph	7.7 km/h
- raised or extended	0.68 mph	1.1 km/h	0.68 mph	1.1 km/h
- Trax option stowed	2.5 mph	4.0 km/h	2.5 mph	4.0 km/h
- Trax option raised	0.68 mph	1.1 km/h	0.68 mph	1.1 km/h
Maximum slope rating**	45%		45%	
Turning radius - inside	6 ft 10 in	2.0 m	6 ft 10 in	2.0 m
- outside	17 ft 2 in	4.78 m	17 ft 2 in	4.78 m
- Trax option inside	7 ft 9 in	2.36 m	7 ft 9 in	2.36 m
- Trax option outside	17 ft	5.18 m	17 ft	5.18 m
Controls	12 V DC proportional		12 V DC proportional	
Tires - RT lug	315/55D20-12ply		315/55D20-12ply	
	Trax		Trax	

### Power

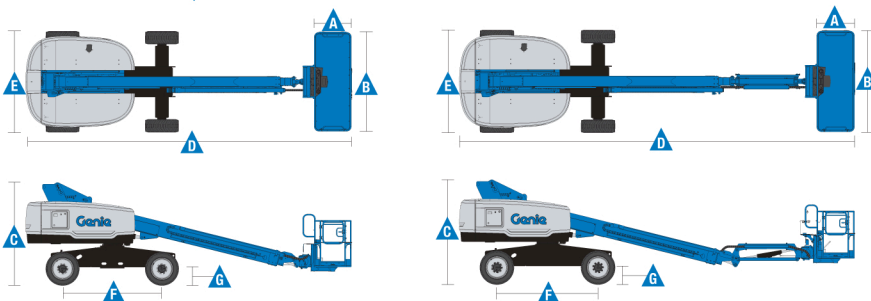
Power source	49 hp (36.54 kW) Deutz diesel T4f D2.9L4			
	48 hp (35.79 kW) Perkins turbo diesel T4f 404F-E22T			
	60hp (44.74kW) Ford gas/LPG MSG425			
Auxiliary power unit	12 V DC		12 V DC	
Hydraulic tank capacity	45 gal	170 L	45 gal	170 L
Fuel tank capacity	20 gal	76 L	20 gal	76 L

### Weight\*\*\*

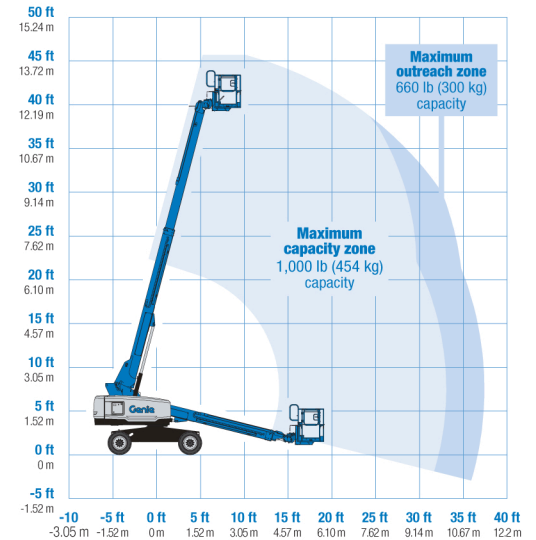
Standard	13,649 lbs	6,191 kg	15,455 lbs	7,010 kg
Trax	15,054 lbs	6,828 kg	16,860 lbs	7,648 kg

### Standards Compliance

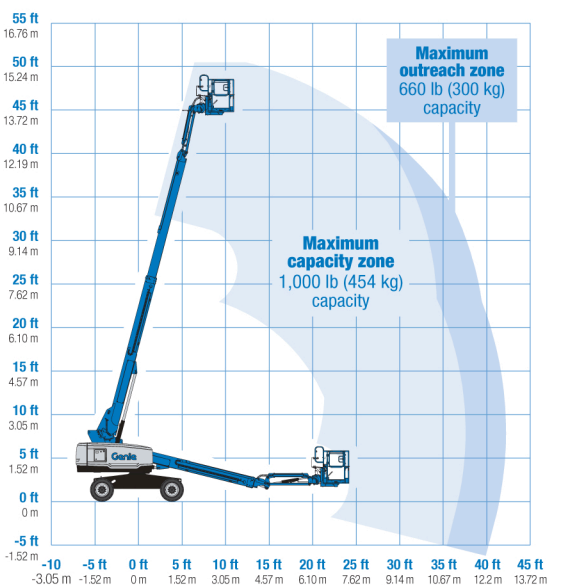
ANSI A92.20, CSA B354.6 and AS 1418.10



### Range Of Motion S-40 XC



### Range Of Motion S-45 XC



\* The metric equivalent of working height adds 2 m to platform height. U.S. adds 6 ft to platform height.

\*\* Gradeability applies to driving on slopes. See operator's manual for details regarding slope ratings.

\*\*\* Weight will vary depending on options and/or country standards.

## Features

### Standard Features

#### Measurements

##### S-40 XC and S-40 TraX

- 46 ft (14.19 m) working height
- 31 ft 8 in (9.65 m) horizontal reach
- 660 lbs (300 kg) unrestricted and 1,000 lbs (454 kg) restricted lift capacity

##### S-45 XC and S-45 TraX

- 51 ft (15.72 m) working height
- 36 ft 2 in (11.02 m) horizontal reach
- 660 lbs (300 kg) unrestricted and 1,000 lbs (454 kg) restricted lift capacity

#### Productivity

- Self-leveling platform
- 160° hydraulic platform rotation
- Proportional joystick controls
- Fuel select switch on platform and ground control panels (Gas/LPG models)\*
- Drive enable
- AC power cord to platform
- Horn
- Hour meter
- Tilt alarm
- Descent alarm
- 360° continuous turntable rotation
- Locking turntable covers
- Positive traction drive
- Two speed wheel motors
- Entry Toeboard
- Lift Guard™ Contact Alarm
- Work Tray
- Hydraulic oil cooler

#### Power

- 12 V DC auxiliary power
- Anti-restart engine protection
- Auto engine fault shutdown
- Intake air heater (Deutz engine)

### Easily Configured To Meet Your Needs

#### Platform Options

- Steel 8 ft (2.44 m) tri entry with side swing gate (standard)
- Steel 6 ft (1.83 m) dual entry with side swing gate

#### Jib Options

- Non-jib (S-40 only)
- 5 ft (1.52 m) jib boom (S-45 only)

#### Engine Options

- 49 hp (36.54 kW) Deutz diesel T4f\*\* (standard)
- 48 hp (35.79 kW) Perkins turbo diesel T4f\*\* 404F-E22T
- 60hp (44.74kW) Ford Gas/LPG

#### Tire Options

- Rough terrain foam-filled (standard)
- Rough terrain non-marking (air or foam-filled)
- Trax (track system)

#### Axels

- Active Oscillation (4WD)

\* Available only with Ford engine  
 \*\* Also available as Tier 4i in limited regions  
 \*\*\* Available through aftermarket parts only



### Options & Accessories

#### Productivity Options

- Lift Guard Platform Mesh - Half
- Lift Guard Platform Mesh - Full
- Lift Guard Platform Mesh - Screen (8ft platform only)
- Lift Power
  - 3 kW AC Generator
  - 12 kW 240 V / 60 Hz Welder Ready package
  - 7kw Welder Ready package
  - 12 kW Welder Equipped, Select Lincoln or Miller (12 kW options include a fire extinguisher and fireproof sleeves)
- Platform top auxiliary rail
- Welder Ready package
- Air line to platform
- Specialty hydraulic oil (cold weather, fire resistant, or biodegradable)
- Hostile environment kit
- Deluxe hostile environment kit
- Aircraft protection package (6 ft platform only)
- Thumb rocker steer
- Alarm package
- Panel cradle package
- Lockable platform control box covers
- Tow package
- Work light package
- Operator Protective Structure\*\*\*
- Fall Arrest Bar

#### Power Options

- Engine gauge package\*
- Cold Weather Packages
- Diesel scrubber/muffler (catalytic muffler, Tier 4i only)
- LPG tank 33.5 lbs (15.19 kg) capacity
- Intake air pre-cleaner (Tier 4i only)

## Kuipers Grondwerken B.V.

Haarweg 9  
 7651 KE Tubbergen

T. 0546 - 44 14 23  
 F. 0546 - 44 25 94

E. info@kuipersgrondwerken.nl  
 www.kuipersgrondwerken.nl