

## Specifications

Models	S-60 XC		S-65 XC	
Measurements	US	Metric	US	Metric
Working height maximum*	65 ft 8.5 in	20.20 m	71 ft 1 in	21.84 m
Platform height maximum	59 ft 8.5 in	18.20 m	65 ft 1 in	19.84 m
Horizontal reach maximum	50 ft 10 in	15.49 m	54 ft 2 in	16.51 m
Below ground reach	5 ft 7 in	1.70 m	5 ft 7 in	1.70 m
<b>A</b> Platform length - 8 ft model	3 ft	0.91 m	3 ft	0.91 m
<b>B</b> Platform width - 8 ft model	8 ft	2.44 m	8 ft	2.44 m
<b>C</b> Height - stowed	8 ft 11 in	2.72 m	8 ft 11 in	2.72 m
<b>D</b> Length - stowed	31 ft 11 in	9.73 m	31 ft 11 in	9.73 m
<b>E</b> Width	8 ft 2 in	2.49 m	8 ft 2 in	2.49 m
<b>F</b> Wheelbase	8 ft 3 in	2.52 m	8 ft 3 in	2.52 m
<b>G</b> Ground clearance - center	14.5 in	0.37 m	14.5 in	0.37 m

### Productivity

Maximum lift capacity - unrestricted	660 lb	300 kg	660 lb	300 kg
- restricted	1,000 lb	454 kg	1,000 lb	454 kg
Platform rotation	160°		160°	
Vertical jib rotation - up/down			135°	
Turntable rotation	360° continuous		360° continuous	
Turntable tailswing - axles retracted	4 ft 7.5 in	1.41 m	4 ft 7.5 in	1.41 m
Drive speed - stowed	3.0 mph	4.8 km/h	3.0 mph	4.8 km/h
- raised (below 60 ft)	0.68 mph	1.1 km/h	0.68 mph	1.1 km/h
Gradeability - stowed**	45%		45%	
Turning radius - axle retracted: inside	26 ft 4 in	8.03 m	26 ft 4 in	8.03 m
outside	32 ft 8 in	9.96 m	32 ft 8 in	9.96 m
Controls	12 V DC proportional		12 V DC proportional	
Tires - RT lug	355/55D 625 FF		355/55D 625 FF	

### Power

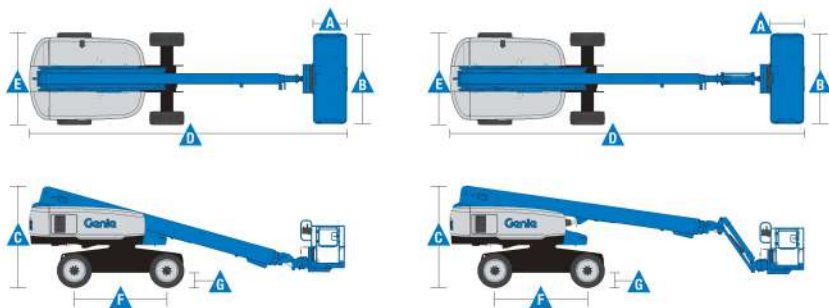
Power source	48 hp (35.79 kW) Deutz diesel T4f D2.9L4		48 hp (35.79 kW) Deutz diesel T4i D2011L03i	
	49 hp (36.54 kW) Perkins turbo diesel T4f 404F-E22T		74 hp (55.18 kW) Deutz turbo diesel T4i D2011L04i	
	60 hp (44.74 kW) Ford gas/LPG MSG425			
Auxiliary power unit	12 V DC		12 V DC	
Hydraulic tank capacity	45 gal	170 L	45 gal	170 L
Fuel tank capacity - diesel	35 gal	132 L	35 gal	132 L
- gas	30 gal	114 L	30 gal	114 L

### Weight\*\*\*

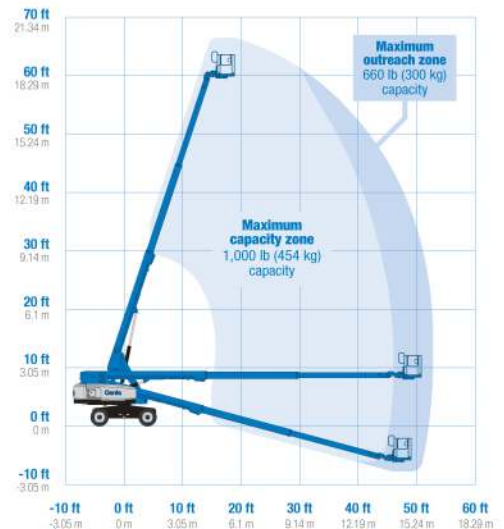
4WD	22,900 lbs	10,387 kg	24,900 lbs	11,294 kg
-----	------------	-----------	------------	-----------

### Standards Compliance

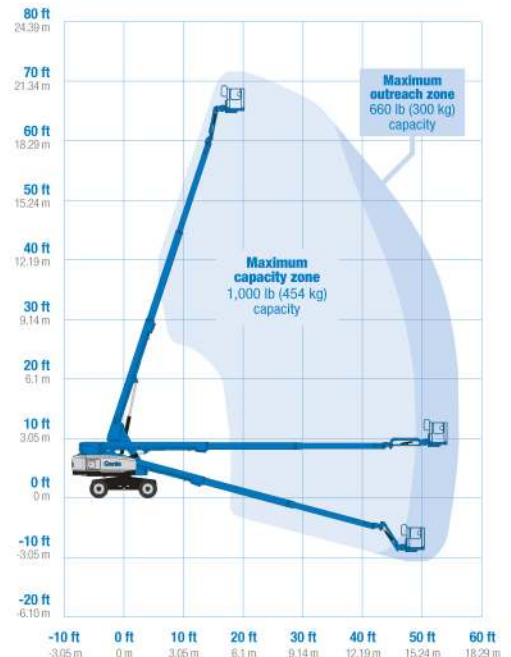
ANSI/SAIA A92.20, CSA B354.7, GB 25849, EN 280, AS/NZS 1418.10



### Range Of Motion S-60 XC



### Range Of Motion S-65 XC



\* The metric equivalent of working height adds 2 m to platform height. U.S. adds 6 ft to platform height.

\*\* Gradeability applies to driving on slopes, see operator's manual for details regarding slope ratings.

\*\*\* Weight will vary depending on slope, see operator's manual for details regarding slope ratings.

\*\*\*\* S-60 XC not available with track system

## Features

### Standard Features

#### Measurements

##### S-60 XC

- 65 ft 8.5 in (20.20 m) working height
- 50 ft 10 in (15.49 m) horizontal reach
- 660 lbs (300 kg) unrestricted and 1,000 lbs (454 kg) restricted lift capacity

##### S-65 XC

- 71 ft 1 in (21.84 m) working height
- 54 ft 2 in (16.51 m) horizontal reach
- 660 lbs (300 kg) unrestricted and 1,000 lbs (454 kg) restricted lift capacity

#### Productivity

- Self-leveling platform
- 160° hydraulic platform rotation
- Proportional joystick controls
- Fuel select switch on platform and ground control panels (Gas/LPG models)
- Drive enable
- AC power cord to platform
- Horn
- Hour meter
- Tilt alarm
- Descent alarm
- 360° continuous turntable rotation
- Positive traction drive
- Two speed wheel motors
- Telematics ready connector
- Platform Load sense system
- Entry Toeboard
- Hydraulic oil cooler
- Alarm package
  - Work tray
  - Lift Guard™ Contact Alarm

#### Power

- 12 V DC auxiliary power
- Anti-restart engine protection
- Auto engine fault shutdown
- Swing out engine tray
- Intake air heater (Deutz engine)

### Easily Configured To Meet Your Needs

#### Platform Options

- Steel 8 ft (2.44 m) tri entry with side swing gate (standard)
- Steel 6 ft (1.83 m) dual entry with side swing gate
- Steel 4 ft (1.22 m)

#### Jib Options

- Non-jib (S-60 only)
- 5 ft (1.52 m) jib boom (S-65 only)

#### Engine Options

- 48 hp (35.79 kW) Deutz diesel T4f\* (standard)
- 49 hp (36.54 kW) Perkins diesel T4f\*
- 74 hp (55.18 kW) Deutz turbo diesel T4f\*
- 60hp (44.74 kW) Ford gas/LPG

#### Drive Options

- 4WD

#### Axle Options

- Active oscillation

#### Tire Options

- Rough terrain foam-filled (standard)
- Rough terrain non-marking foam-filled



### Options & Accessories

#### Productivity Options

- Half-mesh platform inserts
- Platform top auxiliary rail
- Lift Power™
  - 3 kW AC Generator
  - 12 kW 240 V / 60 Hz Welder Ready package
  - 12 kW Welder Equipped, Select Lincoln or Miller (12 kW options include a fire extinguisher and fireproof sleeves)
- Air line to platform
- Specialty hydraulic oil (cold weather, fire resistant, or biodegradable)
- Hostile environment kit
- Deluxe hostile environment kit
- Aircraft protection package (6 ft platform)
- Thumb rocker steer
- Panel cradle package
- Lockable platform control box covers
- Second battery
- Tow package
- Work light package
- Operator Protective Structure\*\*\*\*\*
- Fall Arrest Bar

#### Power Options

- Engine gauge package\*\*\*
- Cold Weather Packages
- Diesel scrubber/muffler (catalytic muffler)\*\*\*\*
- LPG tank 33.5 lb (15.19 kg) capacity
- Intake air pre-cleaner\*\*\*\*\*

\* Also available as Tier 4i in limited regions

\*\* Available only with Track system option

\*\*\* Available only with Ford engine

\*\*\*\* Available only with Tier4i diesel engines

\*\*\*\*\* Available through aftermarket parts only

## Kuipers Grondwerken B.V.

Haarweg 9  
7651 KE Tubbergen

T. 0546 - 44 14 23

F. 0546 - 44 25 94

E. info@kuipersgrondwerken.nl

www.kuipersgrondwerken.nl